

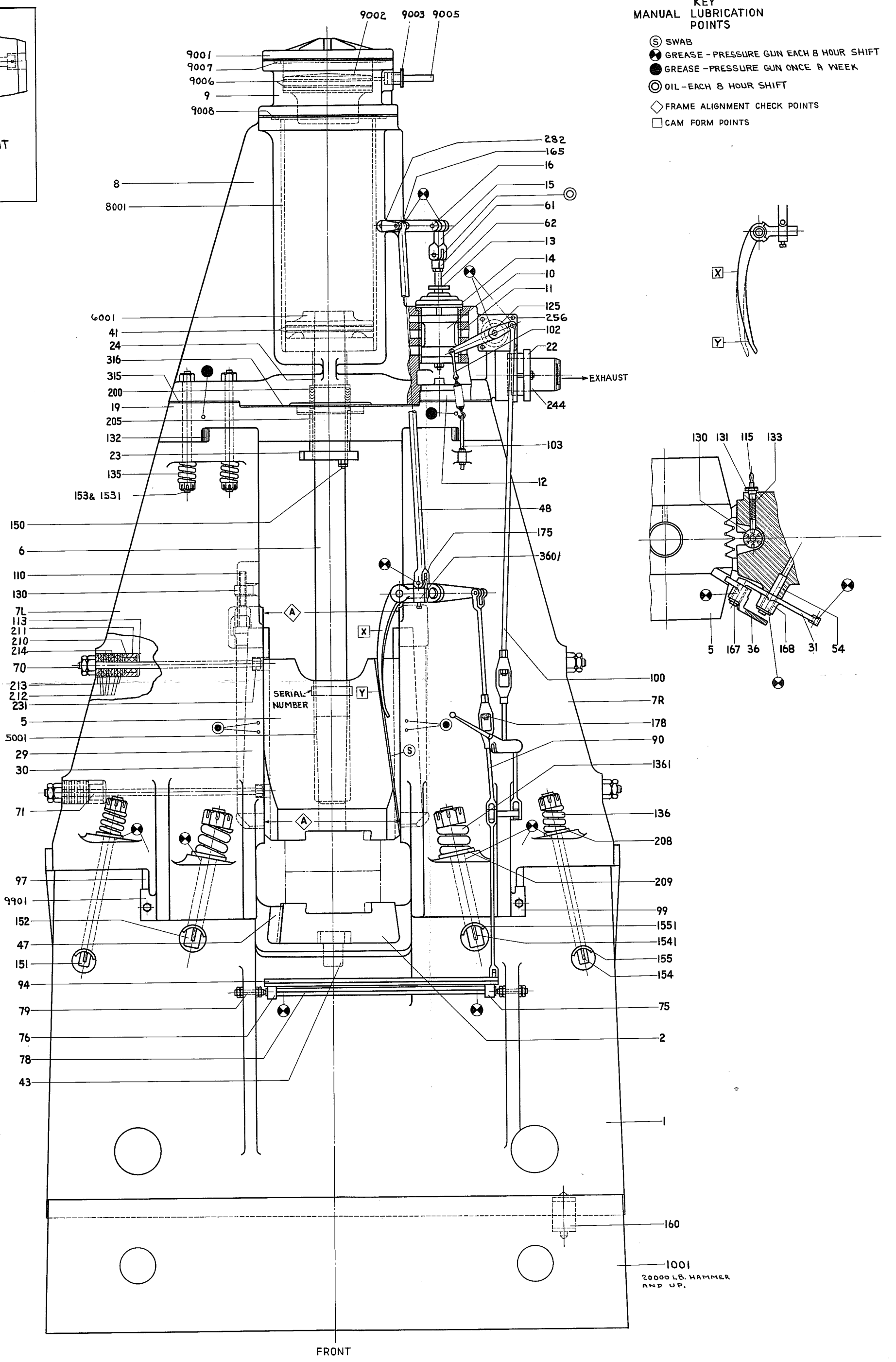
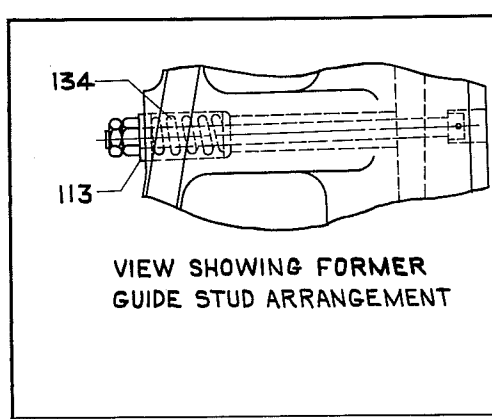
- 1 Anvil
- 1001 Anvil Base
- 2 Anvil Cap
- 5 Ram
- 5001 Ram Bushing
- 6 Piston Rod
- 6001 Piston Head
- 7R Frame (Right Hand)
- 7L Frame (Left Hand)
- 8 Cylinder
- 8001 Cylinder Liner
- 9 Cylinder Cover
- 9001 Cylinder Cover Lid
- 9002 Plunger
- 9003 Pipe Gland
- 9005 Flanged Pipe
- 9006 Plunger Rings
- 9007 Cylinder Cover Gasket (Upper)
- 9008 Cylinder Cover Gasket (Lower)
- 10 Piston Valve
- 11 Valve Seat
- 12 Chamber Plug
- 13 Main Valve Stem Gland
- 14 Chamber Cover
- 15 Main Valve Link
- 16 Main Valve Rocker (For Round Type Valve up to 12,000 lbs. Incl.)
- 17 Throttle Valve
- 18 Stuffing Box
- 19 Tie Plate
- 21 Steam Pipe Gland
- 22 Exhaust Pipe Gland
- 23 Piston Gland
- 24 Cylinder Throat Bushing
- 29 Ram Guides
- 30 Ram Guide Shoes
- 31 Cam Lever
- 36 Cam and Arm
- 3601 Cam Coupling (10,000 lbs. and up)
- 41 Piston Rings
- 43 Anvil Cap Stop Key
- 47 Anvil Cap Taper Key
- 48 Main Valve Connection
- 54 Cam Lever Shaft
- 55 Intermediate Lever
- 61 Main Valve Coupling
- 62 Main Valve Stem
- 63 Throttle Valve Stem
- 70 Guide Clamp Studs (Upper)
- 71 Guide Clamp Studs (Lower)
- 75 Treadle Lever (Right Hand)
- 76 Treadle Lever (Left Hand)
- 77 Treadle Connection
- 78 Treadle Shaft
- 79 Treadle Studs
- 83 Automatic Lubricator
- 90 Cam Lever Connection
- 94 Treadle Board
- 97 Wearing Plates
- 98 Wearing Plate (R.H. Rear)
- 9801 Wearing Plate (L.H. Rear)
- 99 Wearing Plate (R.H. Front)
- 9901 Wearing Plate (L.H. Front)
- 100 Throttle Valve Connection
- 102 Throttle Spring Rod (Upper)
- 103 Throttle Spring Rod (Lower)
- 1047 Turnbuckle
- 1048 Turnbuckle Lock Nuts
- 1049 Turnbuckle (For 16,000 lbs. up)
- 1051 Throttle Control Handle
- 1052 Throttle Control Connection (Upper)
- 1053 Throttle Control Connection (Lower)
- 110 Guide Adjusting Bolts
- 113 Guide Clamp Bolts Washers
- 115 Adjusting Spool Lock Pins
- 125 Throttle Arm

AUTOMATIC LUBRICATION TO MOTOR DRIVEN LUBRICATOR 83
 1000 TO 8000 LB. DHE
 3 OUTLETS - AIR & STEAM OPERATION
 1 OUTLET TO SUPPLY LINE
 2 OUTLETS - ONE FOR EACH FRAME - GUIDE LUBRICATION
 10000 LB. DHE AND LARGER
 6 OUTLETS - AIR & STEAM OPERATION
 2 OUTLETS TO SUPPLY LINE
 4 OUTLETS - 2 FOR EACH FRAME - GUIDE LUBRICATION

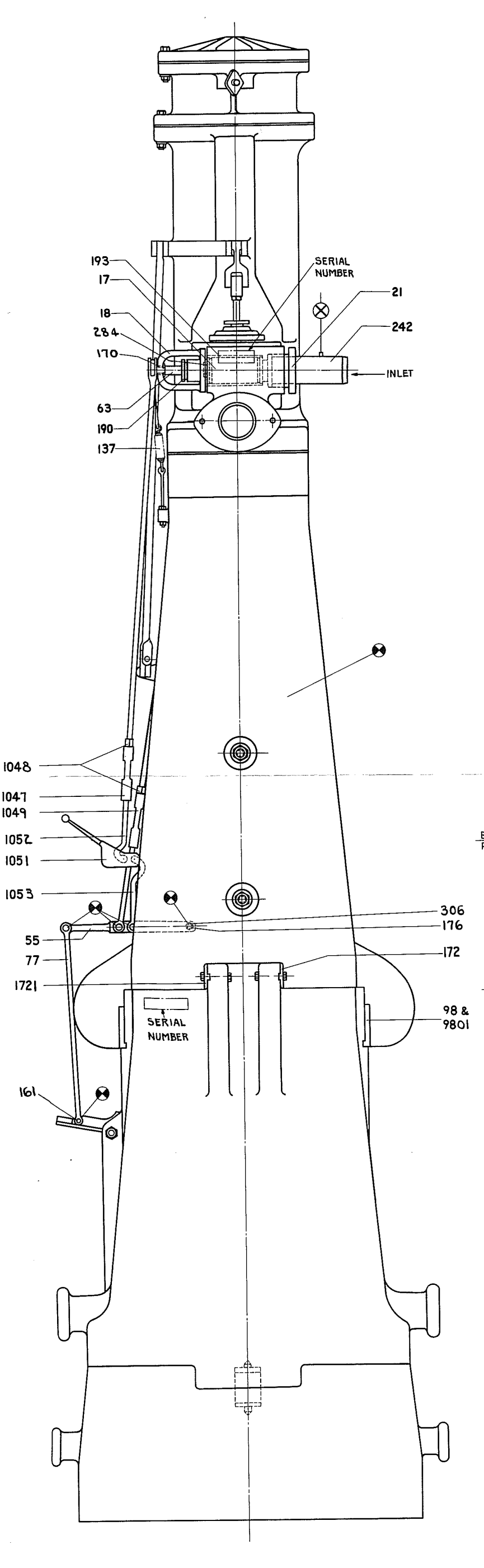
⊗ CYLINDER + VALVE LUBRICATION SEE INSTRUCTIONS

⊙ GUIDE LUBRICATION SEE INSTRUCTIONS

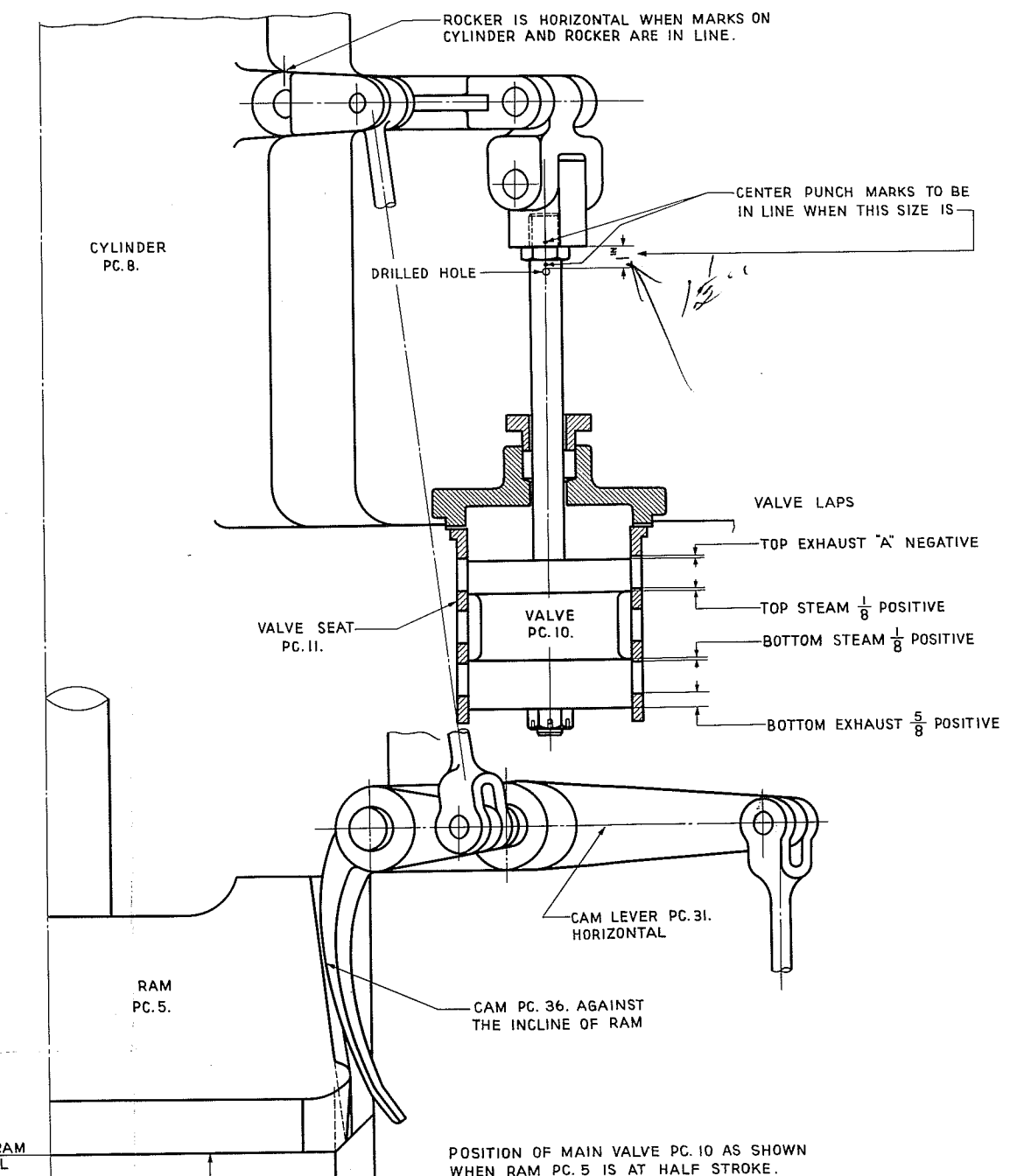
- 130 Adjusting Spools
- 131 Adjusting Spool Studs
- 132 Tie Plate Frame Shims
- 133 Adjusting Spool Springs
- 134 Guide Clamp Bolt Springs
- 135 Cylinder to Frame Stud Springs
- 136 Frame to Anvil Stud Springs
- 1361 Throttle Arm Spring
- 137 Piston Gland Studs
- 150 Frame to Anvil Studs
- 151 Frame to Anvil Studs
- 152 Cylinder to Frame Studs (Right Hand)
- 1531 Cylinder to Frame Studs (Left Hand)
- 154 Frame to Anvil Stud Keys
- 1541 Frame to Anvil Stud Keys
- 155 Frame to Anvil Stud Washers
- 1551 Frame to Anvil Stud Washers
- 160 Anvil Base Stop Key Dowel
- 161 Bushing
- 165 Bushing
- 167 Cam and Arm Bushing
- 168 Cam Lever Bushing
- 170 Stuffing Box Bushing
- 172 Wearing Plates
- 1721 Wearing Plates
- 175 Cam Coupling Bushing (10,000 lbs. up)
- 176 Bushing
- 178 Turnbuckle Nut (For 16,000 lbs. up)
- 190 Throttle Valve Stem Gland
- 193 Throttle Valve Seat
- 200 Piston Rod Packing
- 205 Piston Gland Bushing
- 208 Frame to Anvil Stud Washers
- 209 Frame to Anvil Stud Washers
- 210 Fabreeka Bushing
- 211 Collar
- 212 Fabreeka Washer
- 213 Washer
- 214 Washer
- 231 Guide Clamp Bolt Nuts
- 242 Inlet Pipe Nipple
- 244 Exhaust Pipe Nipple
- 256 Throttle Stud
- 270 O Ring
- 271 Washer
- 282 Bushing
- 284 Bearing
- 306 Pin
- 315 Fabreeka Pads
- 316 Fabreeka Pad



- KEY LUBRICATION POINTS**
- ⊙ SWAB
 - GREASE - PRESSURE GUN EACH 8 HOUR SHIFT
 - GREASE - PRESSURE GUN ONCE A WEEK
 - ⊙ OIL - EACH 8 HOUR SHIFT
 - ◇ FRAME ALIGNMENT CHECK POINTS
 - CAM FORM POINTS



PISTON VALVE SETTING DIAGRAM



SIZE HAMMER - LBS.	A	B
1000	1/32	17 3/16
1500	1/32	18 3/16
2000	1/32	19 3/16
2500	1/32	19 11/16
3000	1/32	20 7/16
4000	1/32	21 1/16
5000	1/32	21 11/16
6000	1/32	20 15/16
8000	1/16	21 1/2
10000	1/16	21 1/2
12000	1/16	21 1/2
16000	1/16	24 1/2
20000	1/16	24 1/2
25000	1/16	26"
35000	1/16	25 1/2

